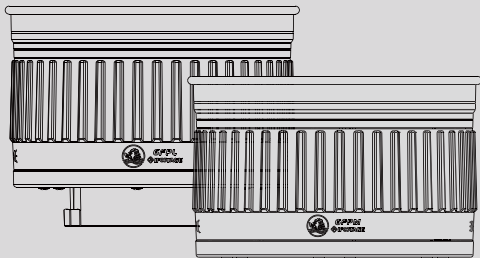




6FPM | 6FPL

Fresnel User Manual



Thank you for purchasing this iFootage product. To fully benefit from your purchase please read the following instructions carefully and keep this manual safe for future reference.

Features

1. Portable, durable and highly adaptable, the lens offers wide angle and narrow beam, controllable, location and studio lighting as well as hard, crisp shadows.
2. Significantly enhances light source utilisation and substantially improves overall directional light control.
3. Equipped with standard bowens mount and mini bowens mount.
4. The fresnel lens comes with detachable barn doors for complete lighting control and also a light intensity-reducing scrim.

List of Items



Technical Information

6FPM-Six inch mini Bowens mount fresnel

Beam angle	8° - 35°
Size	φ 181 × 111.3mm
Weight*	1240g
Material	PA6+30%GF
Compatible with	Mini Bowens Mount
60DN 1m Illumination (Wide Angle)*	17400lx
60DN 1m Illuminance (Poly Angle) *	58500lx

6FPL-Six inch Standard Bowens mount fresnel

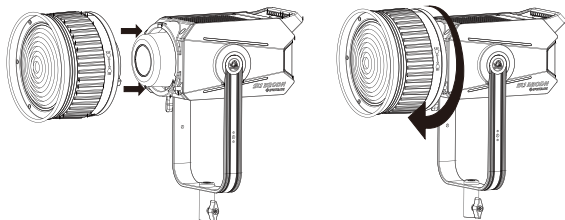
Beam angle	12° - 40°
Size	φ 181 × 135.3mm
Weight*	1280g
Material	PA6+30%GF
Compatible with	Standard Bowens Mount
220DN 1m Illumination (Wide Angle)*	39480lx
220DN 1m Illuminance (Poly Angle)*	80640lx
320DN 1m Illumination (Wide Angle)*	56840lx
320DN 1m Illuminance (Poly Angle)*	114840lx

*Note: The above data is based on iFootage Lab tests and there may be some variation in values with data marked with an asterisk.

How to use

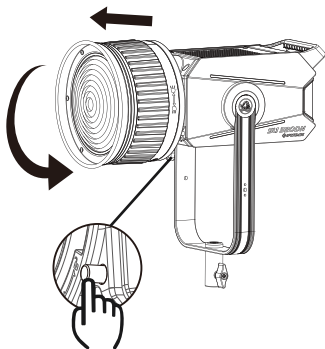
■ Installation

To attach the Fresnel lens, align with the three bayonet fittings on the lamp head and rotate clock-wise to lock in place.



■ Disassemble

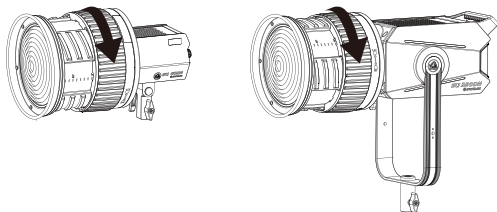
To remove the Fresnel lens, push in and hold the Bowens mount button at the base of the lamp head and rotate anti-clockwise.



How to use

■ Focusing

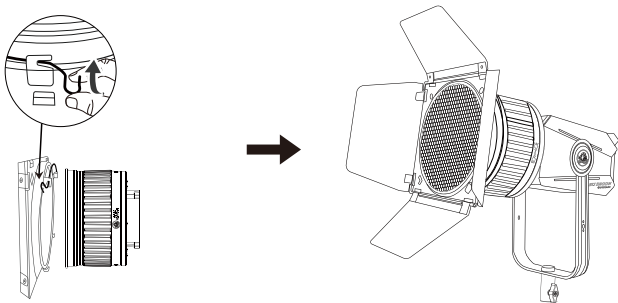
With one hand, rotate the light focus adjustment ring:
(6FPM) to adjust the beam angle from 35° to 8° ,
(6FPL) to adjust the beam angle from 40° to 12° .



Accessories expansion

■ How to install and remove the barn doors

To attach the barn doors, first unclip the metal retainer clip, carefully attach the barn doors to the front of the Fresnel lens and finally replace the metal clip to secure the barn doors. To remove, simply unclip the metal retainer.



Maintenance

1. This product should not be operated or left with children.
2. Do not attempt to disassemble, repair, adapt, modify, burn, apply undue pressure or deform this product. Do not place it or its parts in a microwave oven.
3. When cleaning, use a clean, soft, dry cloth to clean the lens. Do not use harmful chemicals, detergents or other liquids to clean this product.
4. In the unlikely event that this product should fail to operate or develop a fault, please contact our customer services team who will be happy to assist you: cs@ifootagegear.com.

Note: The video light featured and referenced in this manual is not included with this product but can be purchased separately.

Statement

iFootage reserve the right to amend or rectify all hardware and software specifications at any time without notice. If there appears to be any difference between the contents of the instruction manual and the actual product, please refer to the product itself. iFootage and its associates will not be held responsible for the use or misuse of any of the iFootage products or any direct, indirect, punitive, incidental, special consequential property or life damage responsibility. The risk of users or any other person using this product shall be borne by the user. This will not affect your legal rights.

Manufacturer's Information



IFOOTAGE INTERNATIONAL (HK) LIMITED

UK Design & Made in China

Origin: China

Website: www.ifootagegear.com

