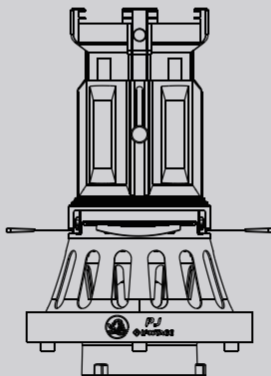




40° Standard Bowens Projector Lens User Manual



CATALOGUE

■ FEATURES - - - - -	1
■ PRODUCT PARAMETERS - - - - -	1
■ COMPONENT DESCRIPTION - - - - -	2
■ LIST OF ITEMS - - - - -	2
■ ATTACHMENTS INSTALLATION - - - - -	3
■ USER GUIDE AND ADDITIONAL FUNCTIONS - - - - -	4
• INSTALL THE IRIS RING - - - - -	4
• ADJUST THE SHAPING SLICE - - - - -	4
• GEL INSTALLATION - - - - -	5
• FOCUSING - - - - -	5
• GOBOS INSTALLATION - - - - -	6
■ MAINTENANCE - - - - -	7

Thank you for choosing iFootage. This manual contains essential user information for the 40° Standard Bowens Projector Lens. We recommend that you read it carefully before using the equipment and keep it in a secure place for future reference.

FEATURES

1. Featuring a precise and efficient optical system, this lens offers high output, high resolution, and exceptional uniformity.
2. It provides an adjustable focus zoom, allowing you to project both soft and hard-focused light to your preference.
3. Equipped with built-in light shaping blades, it enables rapid and precise beam output cutting at various angles, offering endless creative possibilities.
4. Comes with Gobos inserts to create dynamic background effects, offering dramatic lighting effects.
5. With its Standard Bowens mount, it is more convenient for use and switching.

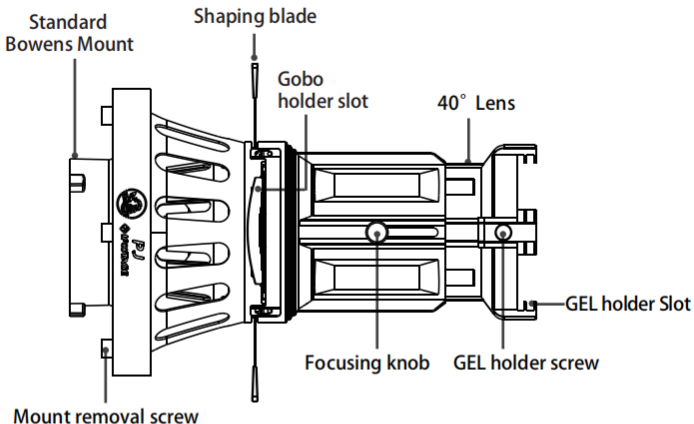
PRODUCT PARAMETERS

Product name	40° Standard Bowens Projector Lens
Model	PJ
Beam angle	40°
Size	Height 335mm; Upper end diameter 118mm; Bottom diameter 195mm
Weight*	2.1kg
Applicable scenarios	Medium and long distance projection
Applicable lighting	LED lights of 600W and below
Mount type	Standard Bowens

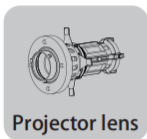
Model	Colour temperature*	40°					
		1m Illumination/facula		3m Illumination/facula		5m Illumination/facula	
SL1 200BNA	5600K	21800Lux	46.1cm	1450Lux	173cm	486Lux	296cm
SL1 200DNA		23200Lux	46.1cm	1610Lux	173cm	546Lux	296cm
SL1 220DN		23900Lux	46.1cm	1680Lux	173cm	563Lux	296cm
SL1 320DN		36800Lux	45.6cm	2470Lux	170cm	808Lux	295cm

*The parameters are all measured by the iFootage laboratory, and there may be slight differences in the parameter values marked with *.

COMPONENT DESCRIPTION



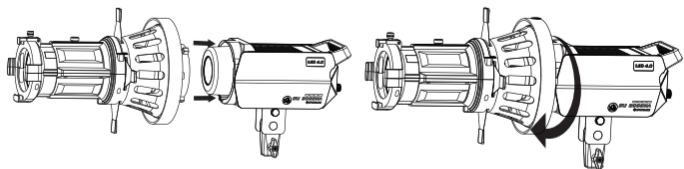
LIST OF ITEMS



ATTACHMENTS INSTALLATION

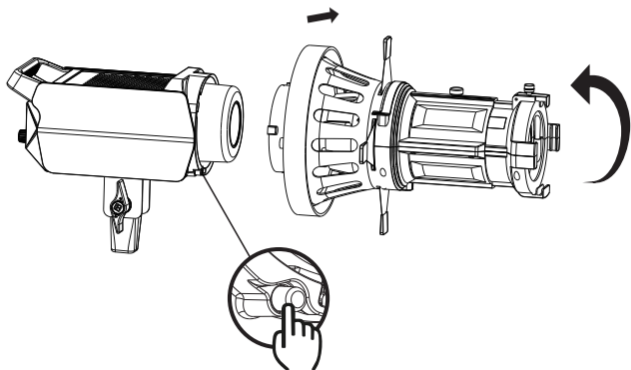
■ Installation

To attach the projector lens, align it with the three bayonet fittings on the lamp head and rotate it clockwise to securely lock it in place.



■ Disassemble

To remove the projector lens, press and hold the Bowens mount button at the base of the lamp head, then rotate it counterclockwise.



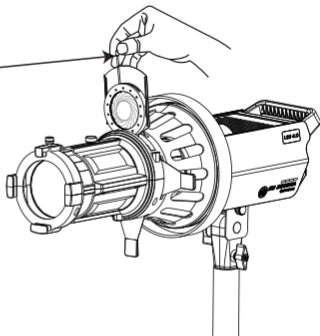
USER GUIDE AND ADDITIONAL FUNCTIONS

■ INSTALL THE IRIS RING

Insert the iris ring into the slot on the projector lens and use the toggle on the iris ring to adjust the iris circle for various circle effects. (Note: The iris ring is not included in the package and must be purchased separately.)



Turn the toggle on the iris ring left and right side to adjust the iris circle.



■ ADJUST THE SHAPING SLICE

With various built-in light shaping blades, use the shaping blade toggle to adjust the lighting effect you need.



Turn the shaping blade toggle to the left and right to change between the following patterns:



Triangle



Thin
triangle



Square



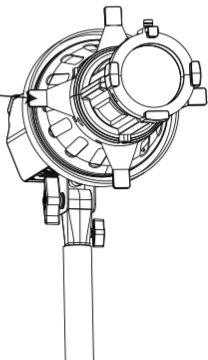
Trapezoid



Line



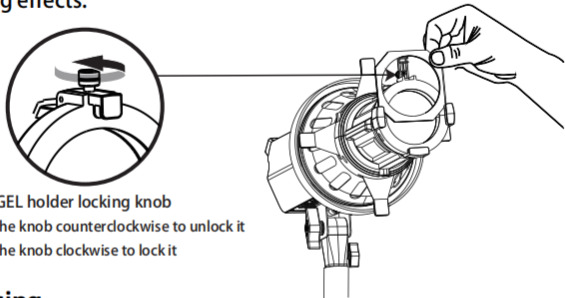
Right
triangle



USER GUIDE AND ADDITIONAL FUNCTIONS

■ GEL INSTALLATION

Put the GEL into the GEL holder, then unscrew the top GEL holder screw, open it, and insert the GEL holder. Close and tighten. To extend the lifespan of the GEL and prevent it from burning at high temperatures, you can freely replace it to create various creative lighting effects.

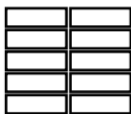


GEL holder locking knob

- ☞ Turn the knob counterclockwise to unlock it
- ☞ Turn the knob clockwise to lock it

■ Focusing

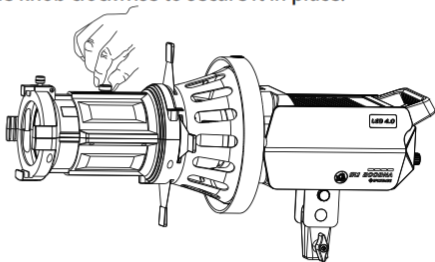
Turn the focusing knob counterclockwise to loosen it, adjust the lens forward and backward until the output reaches the desired level of clarity, and then turn the knob clockwise to secure it in place.



Focus effect



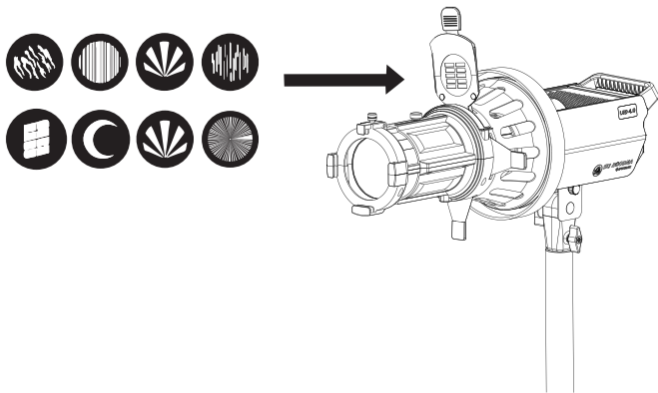
Defocus effect



USER GUIDE AND MORE FUNCTIONS

■ GOBOS INSTALLATION

Insert the Gobo into the Gobo holder slot to create a clear projection pattern effect.



MAINTENANCE

1. Keep this product out of the reach of children and ensure they do not operate or handle it.
2. Do not disassemble, repair, modify, or deform this product. Avoid exposing it or its parts to excessive pressure, heat, or microwave ovens.
3. When cleaning, use a clean, soft, dry cloth to clean the lens. Avoid using harsh chemicals, detergents, or liquids on this product.
4. This product and its included accessories are covered by a 1-year warranty from the original date of purchase.
5. If you encounter any issues with a defective product, please contact our Customer Service team promptly at cs@ifootagegear.com for assistance.

* Note: The lights and iris ring referred to in this manual are not included with the product and must be purchased separately.

STATEMENT

iFootage reserves the right to modify or correct all hardware and software specifications without prior notice. In the event of any discrepancy between the instruction manual and the actual product, please refer to the product itself. iFootage and its affiliates shall not be held liable for any direct, indirect, punitive, incidental, special, consequential, or property damage, or any harm to life resulting from the use or misuse of any iFootage product. The user assumes all risks associated with using this product, and this disclaimer does not affect your legal rights.

MANUFACTURER'S INFORMATION



IFOOTAGE INTERNATIONAL (HK) LIMITED

UK Design & Made in China

Origin: China

Website: www.ifootagegear.com

