

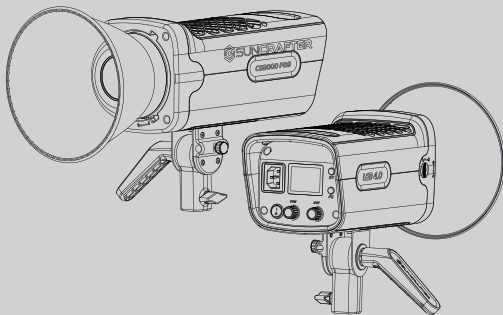


SUNCRAFTER

S200D Pro/CS200D Pro

S200D/CS200D

LED Light User Manual



Thank you for choosing SunCrafter. This manual contains important user information for the S200D Pro/CS200D Pro/S200D/CS200D LED Light. We recommend reading it carefully before using the equipment and keeping it in a safe place for future reference.

The S200D Pro/CS200D Pro/S200D/CS200D is a convenient and versatile LED light suitable for video and photography production, offering adjustable brightness, 5600K day light colour temperature, 8 different special effects. The light can be controlled through a mobile device app, allowing for various settings and presets. This compact and flexible lighting solution is ideal for both studio and location recording purposes.

Contents

■ Features	1
■ Component Description	2
■ Power Management	3
■ Operating Description	4
■ Mode Selection	5
■ Bluetooth Connectivity	6
■ APP Introduction	7
■ Accessory Installation	8
■ How to Use	9
■ Product Parameters	10-11
■ List of items	12
■ Notes	13
■ Maintenance	13

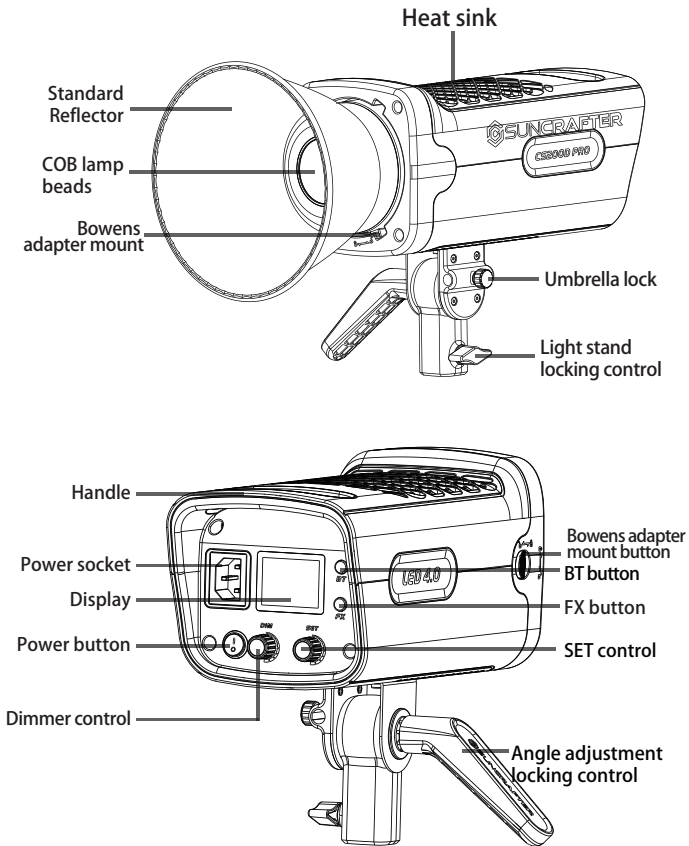
Features

- The S200D Pro/CS200D Pro/S200D/CS200D light has fully adjustable angles, provides simple onboard controls as well as App control and can be used hand held or on a stand or with any other suitable support equipment.
- The S200D Pro/CS200D Pro offers a solar spectrum illumination featuring Ra 98, ensuring exceptional color fidelity, vivid and lifelike colors, along with high LES TM30-18 indices of Rf 97 and Rg 100.
- The S200D/CS200D offers a premium-grade light source, boasting an RA of 96 for exceptional color fidelity, lifelike and vibrant colors, complemented by high IES TM30-18 indices of Rf 94 and Rg 100.
- The S200D Pro/CS200D Pro/S200D/CS200D offers 8 different special lighting effects designed to suit various scenarios.
- There are 4 types of dimming curves to choose from.
- Connecting to the App via Bluetooth will provide further functions such as preset, multi-lamp control and music mode.
- Preset and sequence dimming are entirely customizable and can be set according to user preferences.
- The light comes with a Standard Bowens mount, allowing it to be used with other light attachments that also accommodate a Standard Bowens mount.
- To ensure the lights reach their full potential life, they are equipped with an automatic heat protection function. This feature helps to protect the lights from overheating and extend their lifespan.

Precautions:

1. Keep dry. Do not expose the product to water, liquids, rain or moisture either whilst in use or when in storage. It is recommended that the product should not be handled using wet hands.
2. Do not disassemble or modify the product. Mishandling, including dropping the product, may result in permanent damage.
3. Please keep this product out of the reach of children and animals.
4. Do not use or store the light in the vicinity of harmful chemicals or combustible materials. Always read the warning labels prior to using the product.
5. Please use appropriate adapters for power supply and temperature specifications and range.
6. The effectiveness of the lamp will be impaired if the heat sink is blocked or covered.

Component Description



Power Management

■ Power supply

Ac power supply: S200D Pro Input AC 100V-240V~50/60Hz

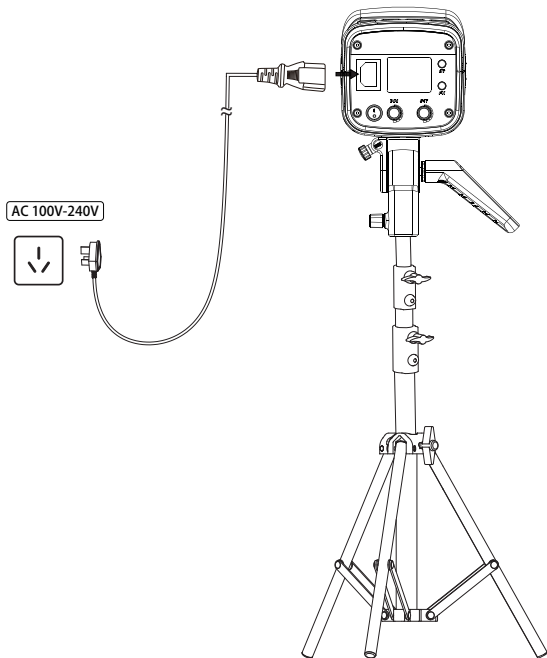
CS200D Pro Input AC 200V-240V~50/60Hz

S200D Input AC 100V-240V~50/60Hz

CS200D Input AC 200V-240V~50/60Hz

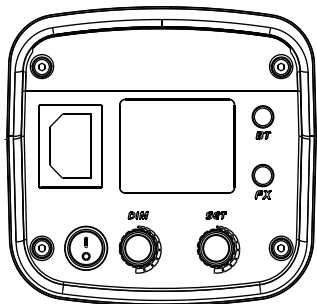
** Please check the corresponding voltage range before use.*

** To remove the power cable, Do not force.*



Operating Description

■ Controls Description



Power Button:

Up/Down toggle: On/Off

BT button:

Long press: Press and hold over 3 seconds to reset Bluetooth

FX button:

Tap: Special effects

Dimmer control:

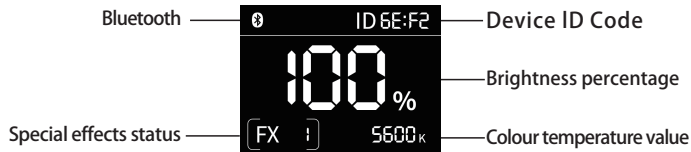
Rotate to adjust brightness.

Press repeatedly to use preset brightness: 20%, 40%, 60%, 80% and 100%.

SET Control:

Rotate to switch different special effects.


■ Screen Description




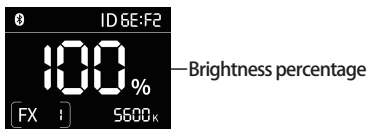
Mode Selection

Light Brightness Mode

In the main menu bar, press SET to select brightness, fixed at colour temperature 5600K±200.

 Rotate the dimmer control to adjust brightness.

 Press the DIM control and click the brightness adjustment control to quickly switch between brightness levels: 0%→20%→40%→60%→80%→100%.



Special Effect Mode

The 8 special effects are as follows:

1: fireworks; 2: lightning; 3: paparazzi; 4: welding light; 5: strobe light; 6: explosion; 7: pulsing light; 8: faulty bulb

Adjust corresponding parameters for the effect used. Press FX, move cursor to effect box, and rotate SET to select effect.

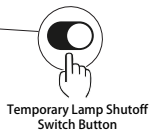


Temporary Lamp Shutoff

Press the power button to turn the light off, and press it again to turn the light on. Temporary light shutoff activates a low-power mode. When the product is not in use, ensure it is fully shut down.



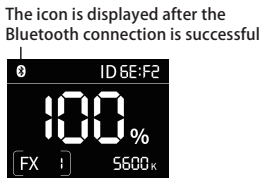
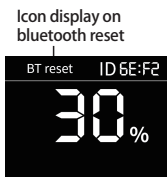
APP Interface



Bluetooth Connection

■ Bluetooth Connection and Reset

1. To set up the Bluetooth connection, download the Lumin+ App to your mobile device (smartphone or tablet) and register. Then, open the Lumin+ App and create a new project. Once in the project, search for available devices and select the appropriate device using its name or code to establish the Bluetooth connection. A successful connection will be indicated by the light blinking three times. From the project device list, you can choose to control a single device or multiple devices. The Bluetooth icon will appear on the status bar, allowing you to adjust the internal lighting values. If the APP displays a Bluetooth connection failure, make sure your mobile device has Bluetooth enabled or reset Bluetooth on the product and try to reconnect.
2. Bluetooth Reset: To reset the Bluetooth, perform a long press on the BT button. During the reset process, the Bluetooth icon will flash, and the screen will display "BT reset." Once the Bluetooth connection is successful, only the Bluetooth icon will be displayed.



Note:

1. Please reset the Bluetooth on the device first, otherwise the device will not be found.
2. The S200D Pro/CS200D Pro/S200D/CS200D connects to your mobile device using Bluetooth BLE5.1 technology. Ensure Bluetooth is enabled on your device before opening the App. Android users should also enable Bluetooth within the App.
3. The Lumin+ App currently supports iOS 12.0 and above. It also supports mobile devices with Android 8.0 and above.
4. After connecting the device to the Lumin+ App via Bluetooth, ensure that all devices have sufficient battery power to support the duration of the firmware update if prompted to do so.

APP Introduction

■ App Overview

The Lumin+ App has multi-light control, Preset and music mode. For additional modes please download the Lumin+ App or visit www.suncrafter.com to access a detailed App user guide. To download the APP, please scan the QR code or search for Lumin+ App. For more information please visit www.suncrafter.com after registering you can operate the product using the APP, however should you change to another mobile device, the product will be reset via Bluetooth, after which you can use the APP connection.



Lumin+
App QR Code



■ Preset and sequences

Within the Lumin+ App you can select the preset settings within modes. You can apply preset to layout, loop method, fade time, duration etc to achieve a repeatable lighting status or set of lighting conditions.

■ Multi-light Control

Within the App's project device list, you can choose to add multiple lights to a project. By setting preset on each light you can create a multiple light sequence.

■ Music mode

Music mode has a variety of ambient colours that react and change according to the music.

■ Special Effects

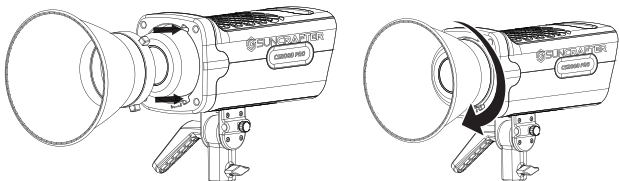
The Lumin+ App has 8 internal effects, and more parameters can be set in the APP according to your lighting needs.

Accessory Installation

The S200D Pro/CS200D Pro/S200D/CS200D LED light comes with its own Standard Bowens mount and can be used with other light accessories which accommodate a Standard Bowens adapter such as Fresnel attachment, softbox or beauty dish etc.

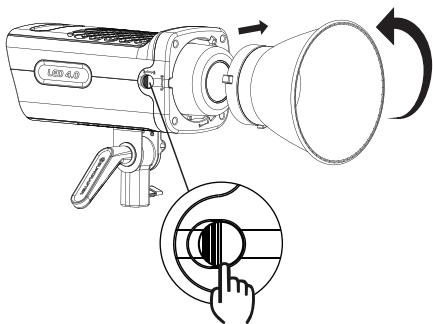
■ Reflector Installation

To attach the reflector, align the three tabs with the lamp head and then rotate them to lock it in place.



■ Reflector Removal

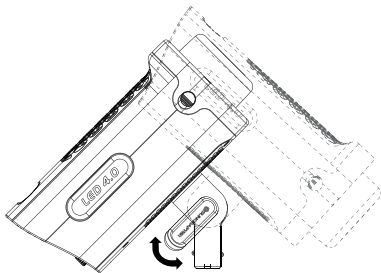
To remove the reflector, push the reflector release button on the lamp head and then rotate the reflector anti-clockwise.



How to Use

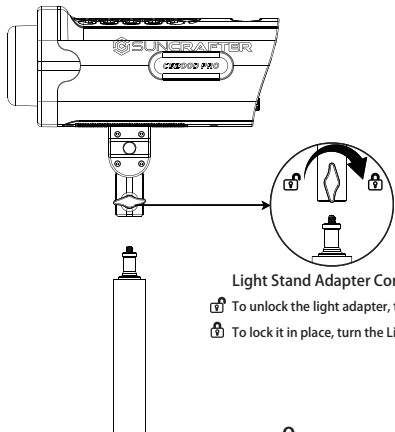
Adjustable Spotlight Angle

The angle of the light can be easily adjusted by turning the angle handle anti-clockwise. To lock it back in place, turn it clockwise.



Usage

The S200D Pro/CS200D Pro/S200D/CS200D can be attached to a light stand or other suitable support accessory.



Light Stand Adapter Control

- 🔓 To unlock the light adapter, turn the Light Adapter Lock counterclockwise
- 🔒 To lock it in place, turn the Light Adapter Lock clockwise

Product Specifications

Product Name	LED Light
Model	S200D Pro/CS200D Pro
Power supply specification	S200D Pro Input AC 100V-240V~50/60Hz CS200D Pro Input AC 200V-240V~50/60Hz
Overall Power	230W
Light Output Power	200W
Materials	Aluminium alloy, PC
Bare Light Size	295 X 179 X228 mm
Bare Light Net Weight	S200D Pro: 2.25kg CS200D Pro: 1.96kg
Working Temperature	-15°C~40°C
SSI CIE-D55 *	84
IES TM-30 *	Rf 97 Rg100
CQS *	97
CRI *	98
TLCI *	99
Colour Temperature*	5600K±200
Brightness Range	0%~100%
100% Illuminance *	≈8280 LUX(main lamp, distance 1 meter)
100% Illuminance *	≈37600 LUX (with reflector, distance 1 meter)
Control Method	Bluetooth APP control, manual button control
Wireless Frequency	2.4GHz
Bluetooth Transmission Distance	15M(no interference)
Display Type	Monochrome OLED

*Note: The above data is based on SunCrafter Lab tests and there may be some variation in values with data marked with an asterick *

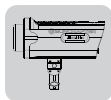
Product Specifications

Product Name	LED Light
Model	S200D/CS200D
Power supply specification	S200D Input AC 100V-240V~50/60Hz CS200D Input AC 200V-240V~50/60Hz
Overall Power	230W
Light Output Power	200W
Materials	Aluminium alloy, PC
Bare Light Size	295 X 179 X228 mm
Bare Light Net Weight	S200D: 2.25kg CS200D: 1.96kg
Working Temperature	-15°C~40°C
SSI CIE-D55 *	74
IES TM-30 *	Rf 94 Rg100
CQS *	93
CRI *	96
TLCI *	99
Colour Temperature*	5600K±200
Brightness Range	0%~100%
100% Illuminance *	≈9000LUX(main lamp, distance 1 meter)
100% Illuminance *	≈39000LUX (with reflector, distance 1 meter)
Control Method	Bluetooth APP control, manual button control
Wireless Frequency	2.4GHz
Bluetooth Transmission Distance	15M(no interference)
Display Type	Monochrome OLED

*Note: The above data is based on SunCrafter Lab tests and there may be some variation in values with data marked with an asterisk *

List of items

■ *S200D Pro*



Main Light Body



Reflector



Power Cable



Warranty Card

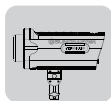


User Manual



Certificate

■ *CS200D Pro*



Main Light Body



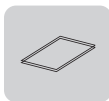
Power Cable



Warranty Card



User Manual



Certificate

■ *S200D*



Main Light Body



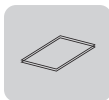
Reflector



Power Cable



Warranty Card

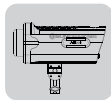


User Manual



Certificate

■ *CS200D*



Main Light Body



Power Cable



Warranty Card



User Manual



Certificate

Notes

1. In order to avoid equipment failure, please do not expose this product to moisture or use in wet or rainy, sandy or dusty environments.
2. Do not disassemble or modify the product. Mishandling, including dropping the product, may result in permanent damage.
3. Keep this product and its parts out of the reach of children and animals.
4. Please ensure that the product is always free from moisture and is stored safely. Water and other liquids may contain minerals that can corrode the internal electronic circuits.
5. Avoid using or placing the product in high temperature environments, including direct strong, sunlight, as this may shorten the life of electronic parts, damage the battery or distort plastic parts or casings.
6. Avoid using the product in very low temperature environments as internal condensation or water particles may damage electronic circuitry as the temperature rises.
7. Avoid using or storing the product in dirty or dusty environments as this may damage components.
8. Avoid placing the product on or near hot surfaces or sources of heat such as lit cigarettes, naked flames or heating systems.
9. Do not disassemble the product by yourself. Inappropriate or unprofessional treatment may result in damage to the product.
10. Do not drop, knock or shake the product. Rough handling may damage the internal circuit board.
11. During use do not cover the light head with flammable materials.
12. To avoid burns, please do not handle the light if it is hot.

Maintenance

1. To prevent the accumulation of dust particles affecting the performance of the product, please carefully wipe the exterior of the product with a clean, soft, dry cloth at regular intervals.
2. The S200D Pro/CS200D Pro/S200D/CS200D is covered by a 3-year warranty from the date of original purchase.
3. Product damage or failure to operate caused by inappropriate or irregular operation is not covered by the warranty.
4. Unauthorized repair or attempting repair will make the warranty void and any authorised repair will then be subject to charges.
5. If the product fails to function or is subjected to water or moisture please ensure it is professionally examined and repaired prior to using it.
6. Always use a clean, dry soft cloth to clean the lens on the product. Do not use harmful chemicals, cleaning agents or liquids to clean the product.
7. In the unlikely event that the product is found to be faulty please contact our Customer Service team who will be happy to assist you: cs@suncrafter.com.

Statement

SunCrafter reserves the right to modify or correct all hardware and software specifications without prior notice. In the event of any discrepancy between the instruction manual and the actual product, please refer to the product itself. SunCrafter and its affiliates shall not be held liable for any direct, indirect, punitive, incidental, special, consequential, or property damage, or any harm to life resulting from the use or misuse of any SunCrafter product. The user assumes all risks associated with using this product, and this disclaimer does not affect your legal rights.



Lumin+
APP QR Code

To download the Lumin+ App, please scan the QR code or visit our website. For more information on operation modes please visit our website www.suncrafter.com

Manufacturer's Information



9meanders Inc

USA Design & Made in China

Origin: China

Website: www.suncrafter.com

